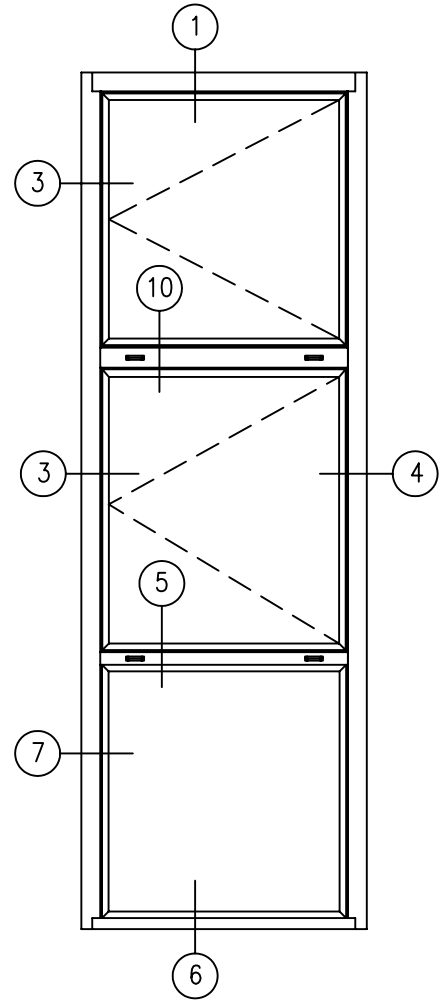
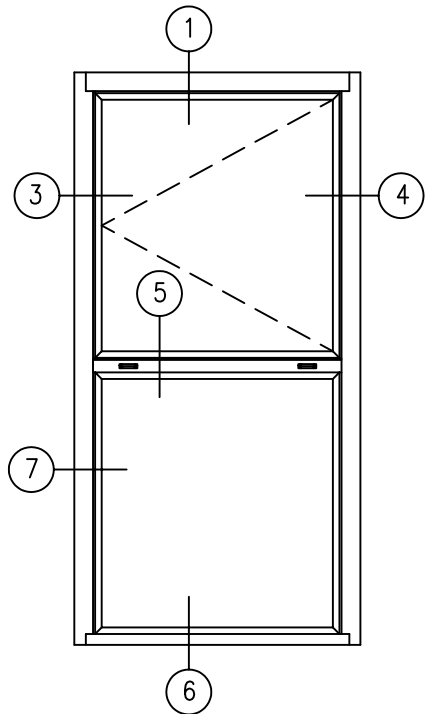


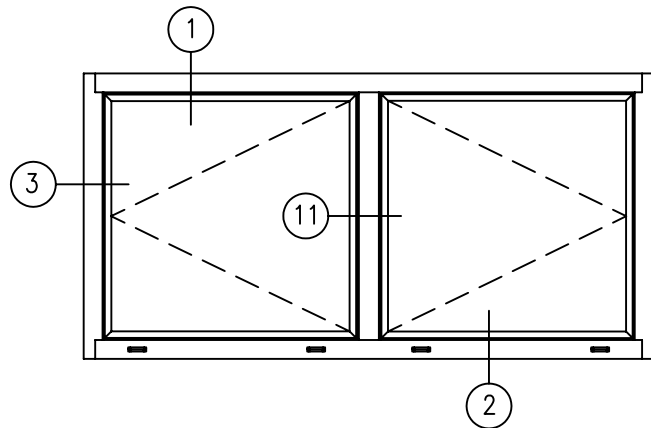
Casement In



Casement In/Casement In/  
Fixed Continuous Frame



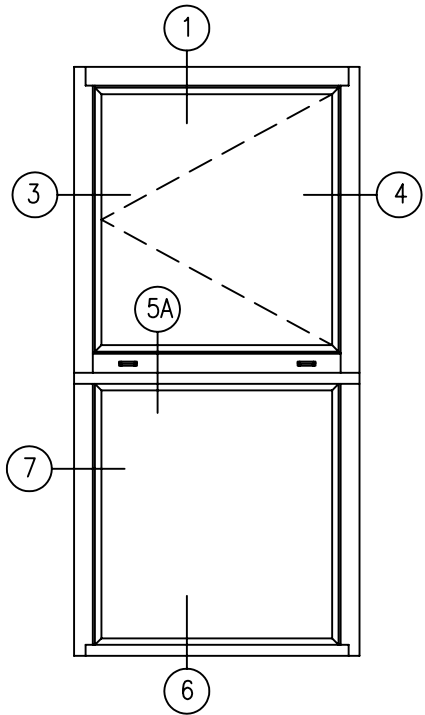
Casement In/Fixed  
Continuous Frame



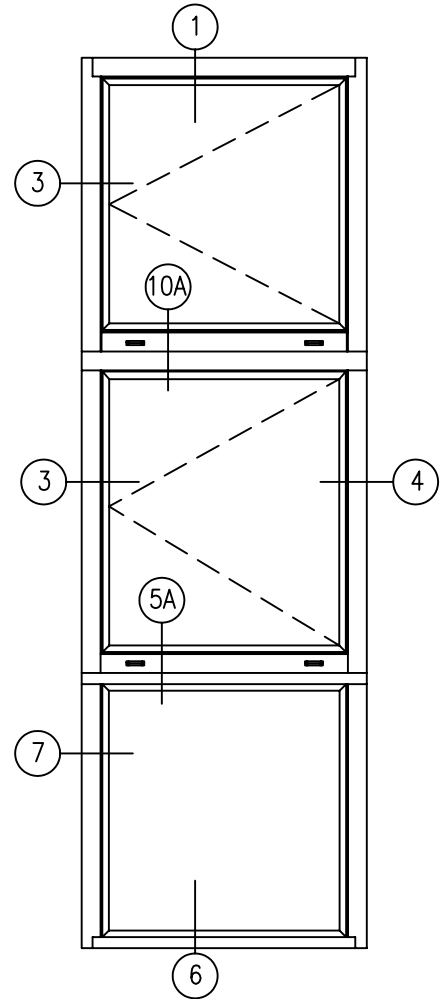
Casement In/Casement In  
Continuous Frame

All Elevations are viewed outside looking in.

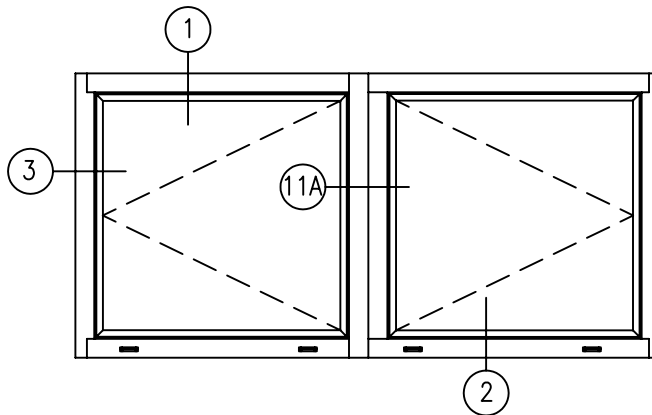
SCALE: NONE



Casement In/Fixed  
with Male-Female Mullion



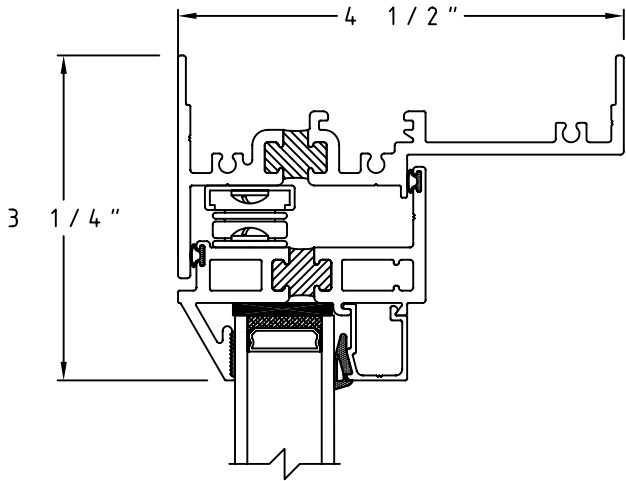
Casement In/Casement In/Fixed  
with Male-Female Mullion



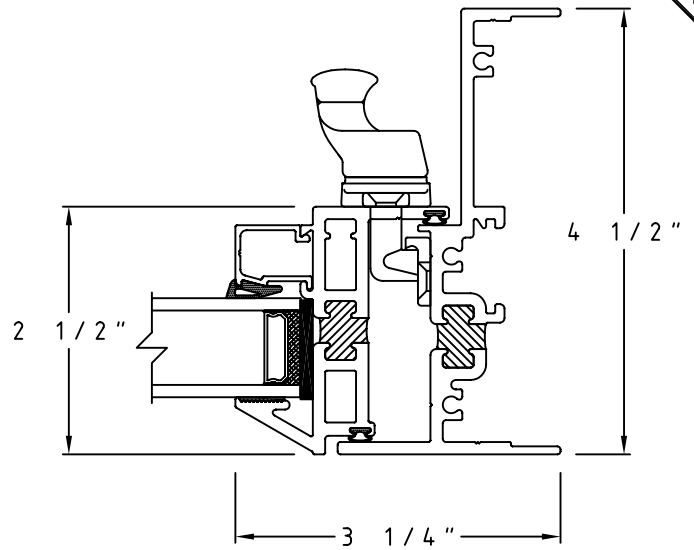
Casement In/Casement In  
with Male-Female Mullion

All Elevations are viewed outside looking in.

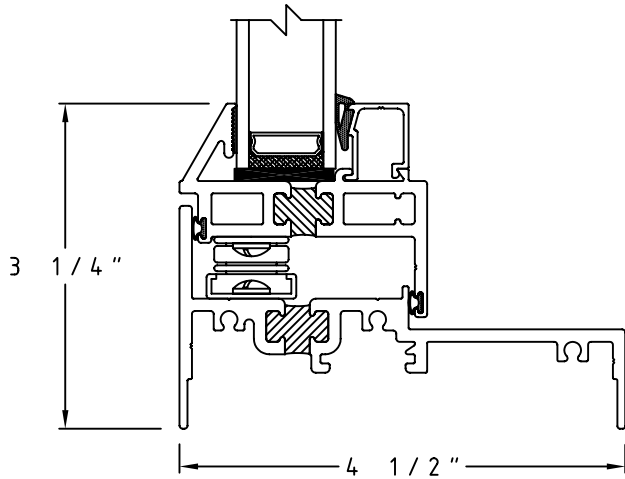
SCALE: HALF



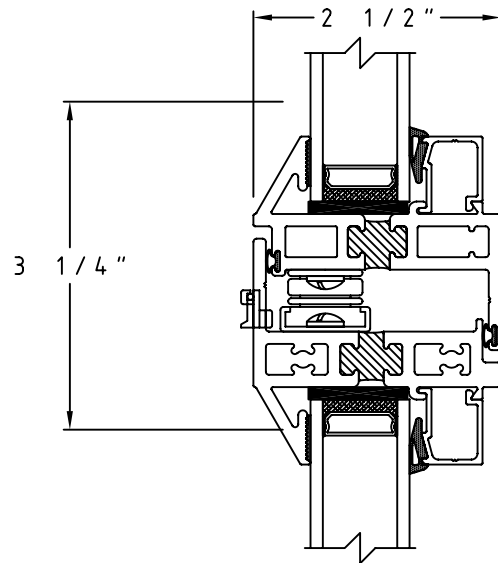
① Head Detail



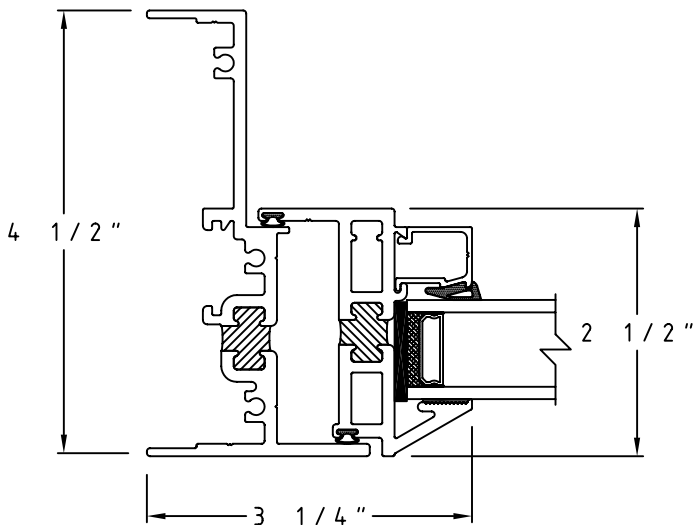
④ Casement In Jamb Detail



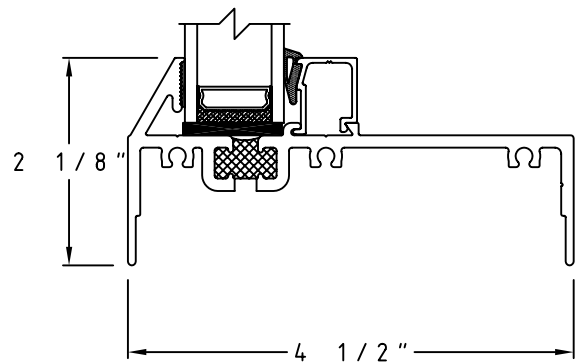
② Sill Detail



⑤ Casement In/Fixed Mullion Detail

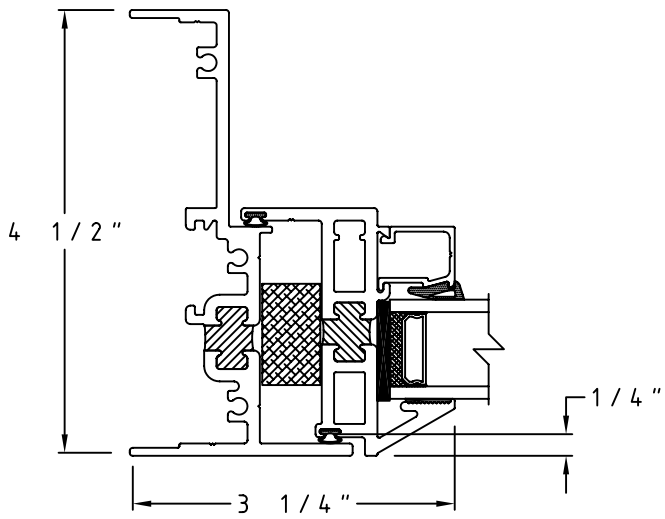


③ Jamb Detail

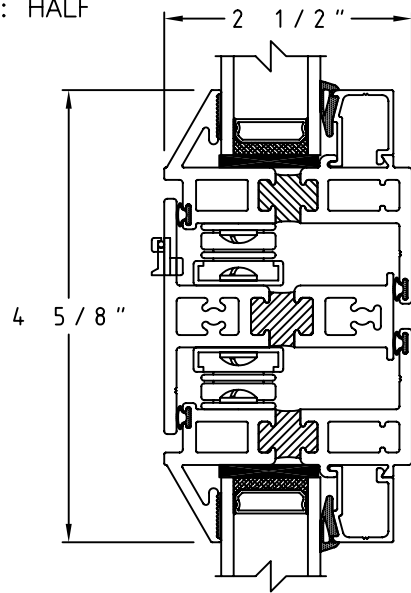


⑥ Fixed Sill Detail

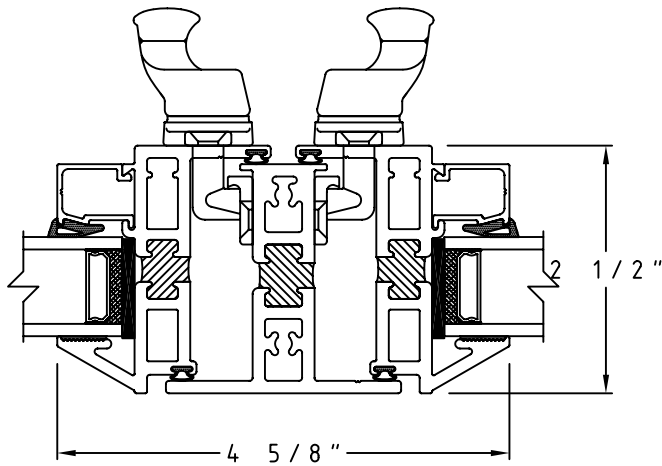
SCALE: HALF



⑦ Fixed Jamb Detail

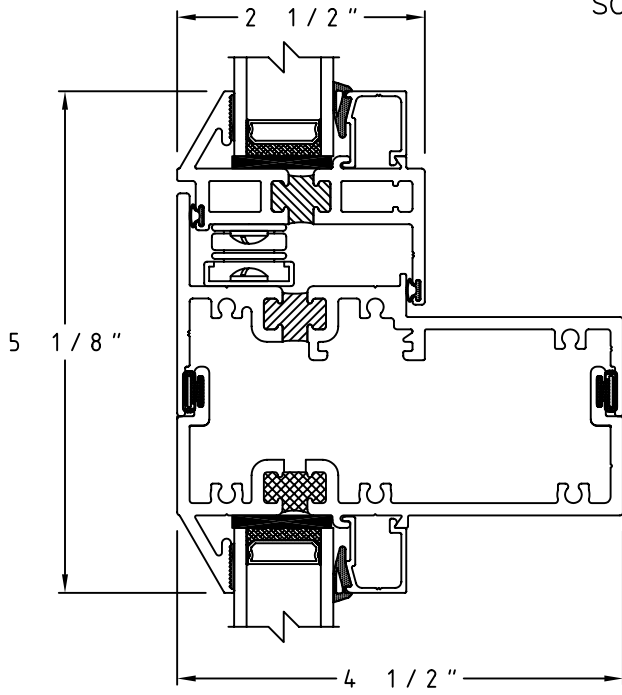


⑩ Casement In/Casement In Mullion Detail

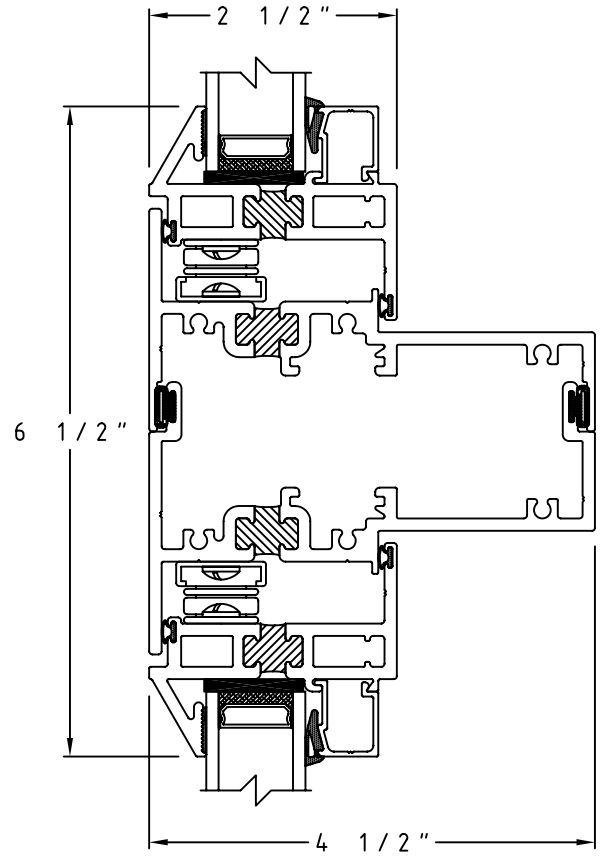


⑪ Casement In/Casement In Mullion Detail

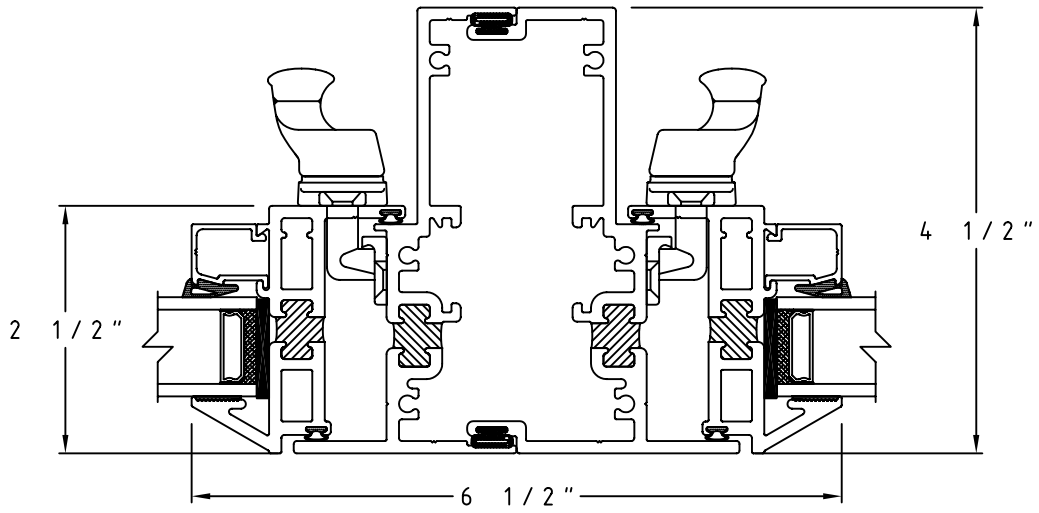
SCALE: HALF



5A Casement In/Fixed Mullion Detail with Male-Female Mullion



10A Casement In/Casement In Mullion Detail with Male-Female Mullion



11A Casement In/Casement In Mullion Detail with Male-Female Mullion